



Module for temporary switching off original transponder immobilizer

DI-2

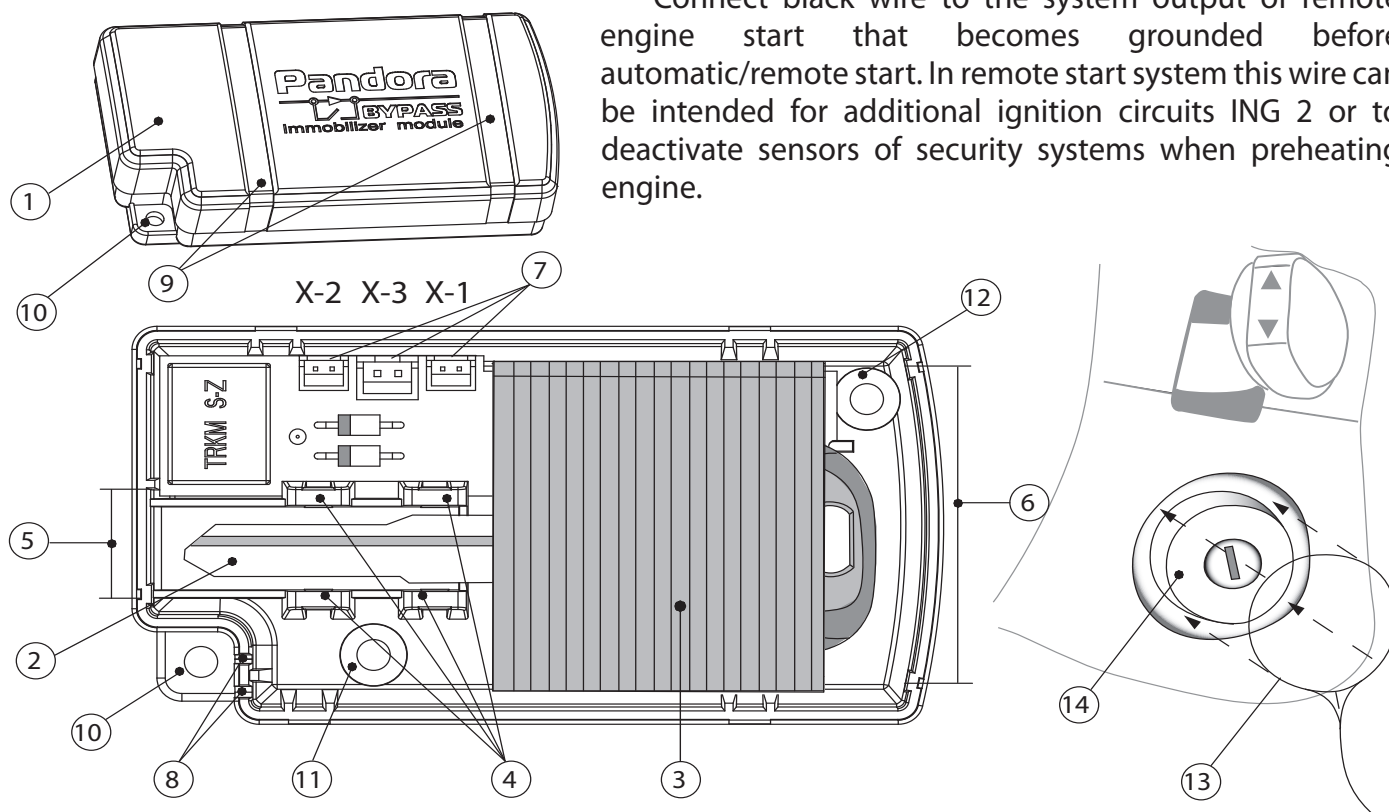
Assignment

Module DI-02 is designed to temporary switch off most types of original transponder immobilizer of modern cars (RFID-system) to provide system operation of automatic and remote engine start. For module installation and operation a spare ignition key is needed; it can be ordered from authorized car dealer. Code channel from microchip that is integrated in the key will be sent to antenna of original security system via DI-02.

Installation

- Open body ①.
- Put a spare key ② by transponder microchip inside of flat loop antenna ③ inside module. Securely fasten the key with plastic ties that are supplied with the system by sliding them through eyelets ④. If it is required, use cushions made of foam rubber that are shipped with the system.
- If key size does not allow to place it inside of module body, use the constructively provided opportunity to cut out sides of bodies ⑤ and ⑥.
- Put switching cables that are shipped with the system to corresponding sockets ⑦ (depend on selected installation scheme, see overleaf). Cables should extend from the body through slots ⑧.
- Fasten the device under the dashboard or other protected place via clamps using slots ⑨ or via screws through the aperture ⑩ and additional ones ⑪ and ⑫. Module can be installed in car engine compartment.
- Fasten external flexible loop antenna ⑬ on the cylinder of the ignition key ⑭. To improve the signal transmission, place antenna of module DI-02 as close as possible to original RFID antenna.
- Perform switching of the module according to one of the provided installation schemes.
- Connect red wire of X-3 socket to +12V of the battery.

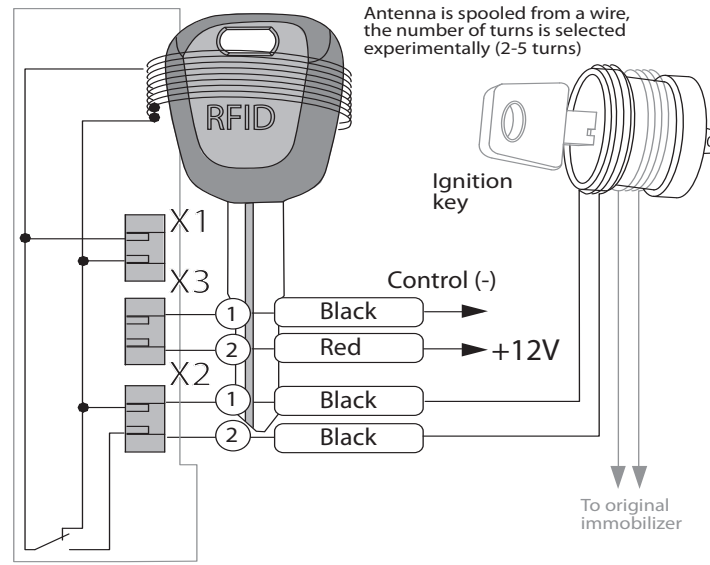
- Connect black wire to the system output of remote engine start that becomes grounded before automatic/remote start. In remote start system this wire can be intended for additional ignition circuits ING 2 or to deactivate sensors of security systems when preheating engine.



Installation scheme

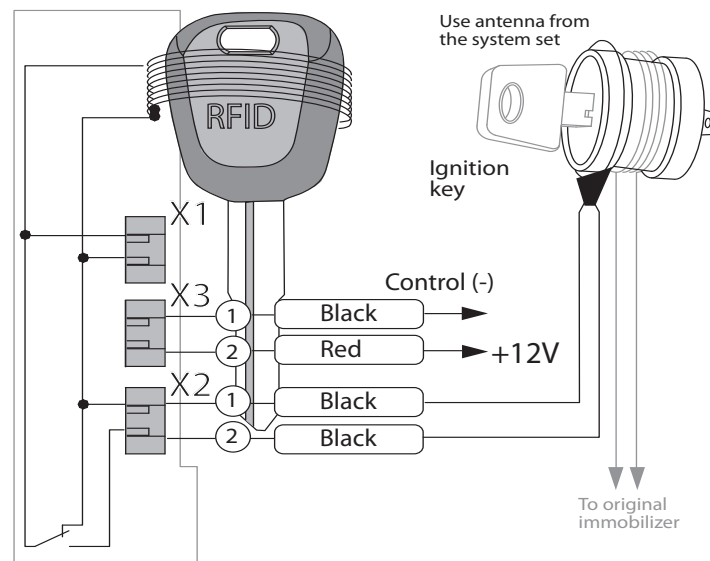
Option 1

Resistance of original immobilizer antenna <6 Ohm



Option 2

Resistance of original immobilizer antenna >8 Ohm



System set

- | | | | |
|---------------------------------------|---|---|---|
| 1. Base unit of module DI-02 | 1 | 6. Tie 450 mm | 2 |
| 2. Loop antenna 60 mm with wire | 1 | 7. Cushion of foam rubber 10x11x20 mm | 1 |
| 3. Loop antenna | 1 | 8. Double-sided adhesive tape 50x50 | 1 |
| 4. Power cable | 1 | 9. User manual..... | 1 |
| 5. Tie 120 mm | 2 | | |

www.pandorainfo.eu

Distribution :
TSS Group s.r.o

ERC CE